

# Series LFU5-Z3

Water Pressure Reducing Valves

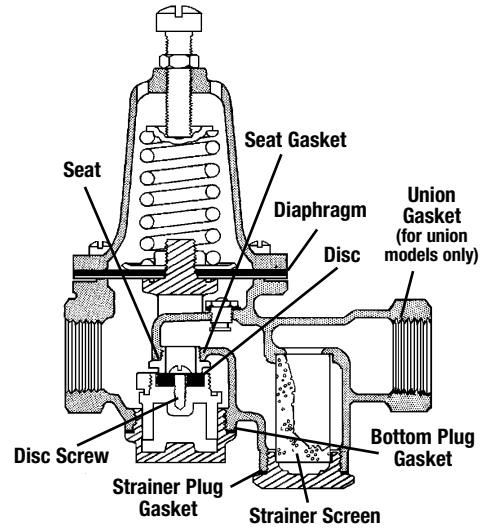
Sizes 1/2" – 2"

## Repair Kits

When ordering specify Ordering Code, Kit No., and Valve Size.

ORDERING CODE	KIT NO.	VALVE SERIES	SIZE (IN.)
0125121	LFKIT-A-RK	LFU5-Z3	1/2"
0125122	LFKIT-B-RK	LFU5-Z3	3/4"
0125123	LFKIT-C-RK	LFU5-Z3	1"
0125124	LFKIT-D-RK	LFU5-Z3	1 1/4"
0125125	LFKIT-E-RK	LFU5-Z3	1 1/2"
0125126	LFKIT-F-RK	LFU5-Z3	2"

Kit for LFU5-Z3 includes all items shown at right



# Series LF25AUB, LF25AUB-Z3

Water Pressure Reducing Valves

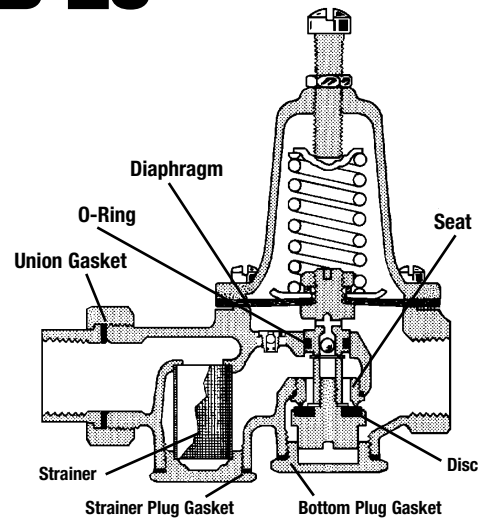
Sizes 1/2" – 2"

## Lead Free\* Repair Kits

When ordering specify Ordering Code, Kit No., and Valve Size.

ORDERING CODE	KIT NO.	VALVE SERIES	SIZE (IN.)
0864941	1/2" LF25AUB-RK	LF25AUB, LF25AUB-Z3	1/2"
0864943	3/4" LF25AUB-RK	LF25AUB, LF25AUB-Z3	3/4"
0864942	1" LF25AUB-RK	LF25AUB, LF25AUB-Z3	1"
0864944	1 1/4" LF25AUB-RK	LF25AUB, LF25AUB-Z3	1 1/4"
0864945	1 1/2" LF25AUB-RK	LF25AUB, LF25AUB-Z3	1 1/2"
0864946	2" LF25AUB-RK	LF25AUB, LF25AUB-Z3	2"

Kit for LF25AUB, LF25AUB-Z3 includes all items shown at right



For replacement parts see pp. 6-8

# Series LFN45B, LFN45B-EZ

Water Pressure Reducing Valves

Sizes 3/4" – 1"

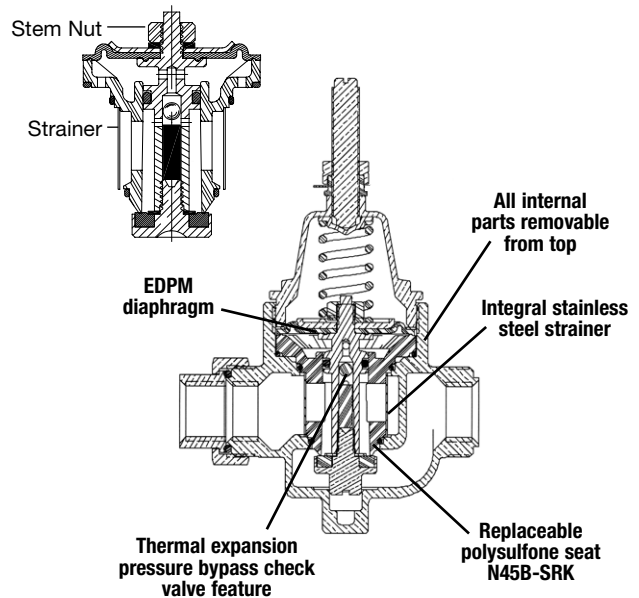
## Repair Kits

When ordering specify Ordering Code, Kit No., and Valve Size.

ORDERING CODE	KIT NO.	VALVE SERIES	SIZE (IN.)
0006960	LFN45B/N55B-EZ-M1-RK	LFN45B/LFN55B-EZ	3/4" – 1"

Kit for LFN45, LFN45B-EZ includes Parts shown at right

## COMPLETE SEAT/STEM REPLACEMENT MODULE (includes diaphragm)



# Series LF223, LFN223B

High Capacity Water Pressure Regulators

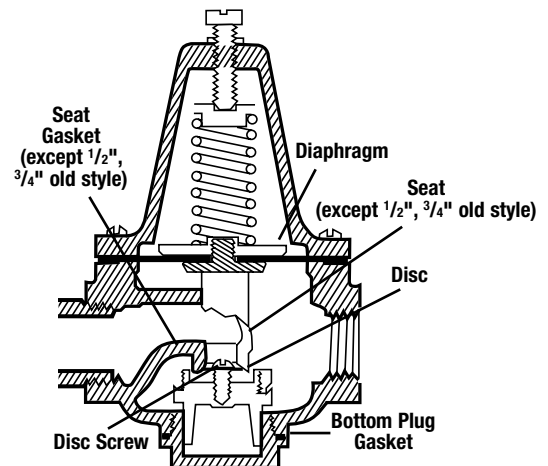
Sizes 1/2" – 3"

## Repair Kits

When ordering specify Ordering Code, Kit No., and Valve Size.

ORDERING CODE	KIT NO.	VALVE SERIES	SIZE (IN.)
0125123	LFKIT-C-RK	LF223	1/2"-3/4"
0125124	LFKIT-D-RK	LF223	1"
0125125	LFKIT-E-RK	LF223	1 1/4"
0125369	LF223N-RK	LFN223	1 1/2"
0125370	LF223N-RK	LFN223	2"
0125371	LF223N-RK	LFN223	2 1/2"
0125372	LFN223M2-RK	LFN223	2 1/2"
0877555	LFN223-RK	LF223	2 1/2"-3"

Kit for LF223, LFN223B includes parts shown at right



# Series LFN223F

Flanged High Capacity Water Pressure Regulators

Size 3"

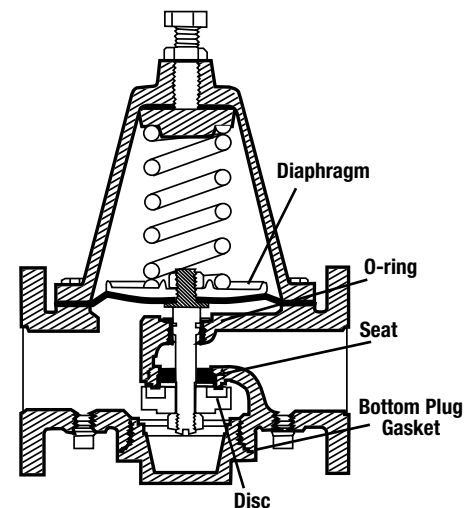
## Repair Kits

When ordering specify Ordering Code, Kit No., and Valve Size.

ORDERING CODE	KIT NO.	VALVE SERIES	SIZE (IN.)
0878307	LFN223F-RK	LFN223F	3"
0878306	LFN223-RK	LFN223F-M2	3"

Kit for LFN223F includes parts shown at right

Kit for LFN223F-M1-M2 includes all rubber parts



For replacement parts see pp. 6-8

\*The wetted surface of this product contacted by consumable water contains less than 0.25% of lead by weight.

# Series LF23, LF123, LFN250, LFN256

Water Pressure Reducing Valves

Sizes 1/2" - 3/4"

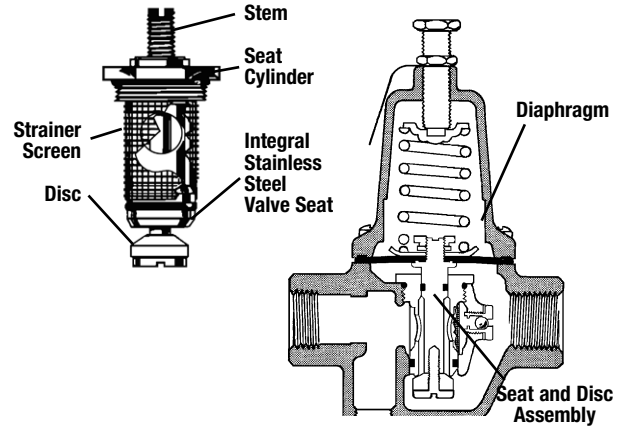
## Repair Kits

When ordering specify Ordering Code, Kit No., and Valve Size.

ORDERING CODE	KIT NO.	VALVE SERIES	SIZE (IN.)
0125373	1/2" LFN250-RK	LF23, LF123, LFN250	1/2"
0125374	3/4" LFN250-RK	LF23, LF123, LFN250, LFN256	3/4"

Kit for LF23, LF123, LFN250, LFN256, includes all items shown at right.

Complete Replacement Assembly (Includes Diaphragm)



# Series LF215

Pressure Regulators

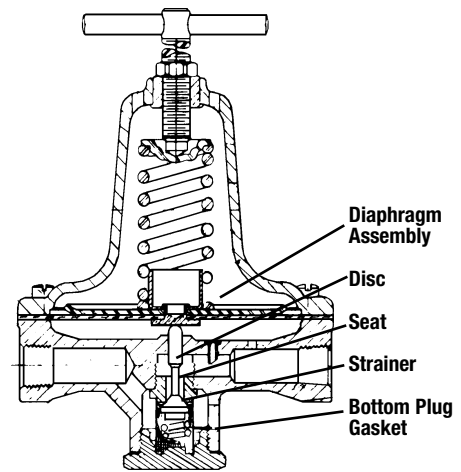
Sizes 1/4" - 3/8"

## Repair Kits

When ordering specify Ordering Code, Kit No., and Valve Size.

ORDERING CODE	KIT NO.	VALVE SERIES	SIZE (IN.)
0125132	RK LF215 Y K	LF215	1/4"- 3/8"

Kit for 215 includes parts shown at right



# Series LF26A, LF263A, SS263AP

Small Pressure Regulators

Sizes 1/8" - 1/2"

## Repair Kits

When ordering specify Ordering Code, Kit No., and Valve Size.

ORDERING CODE	KIT NO.	VALVE SERIES	SIZE (IN.)
0125360	LFSS263AP-RK	SS263AP	ALL
0125361	LF26A-RK	LF26A, LF263A	ALL
0335110	SS263 AP-RK-V	SS263AP	ALL

## Pressure Gauges

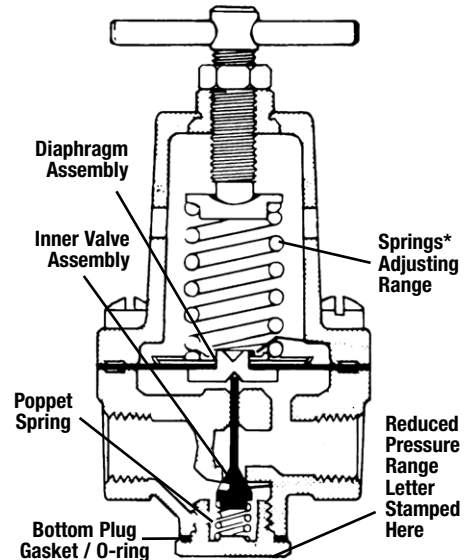
0121697	1/4" LFDPG3-2	LF26A, LF263A, SS263AP	
---------	---------------	------------------------	--

ORDERING CODE	RANGE LETTER	SPRING NO.	SIZE (IN.)
---------------	--------------	------------	------------

### \*Adjusting Springs

1052055	"A"	326	
1052038	"B"	260	
1052039	"C"	261	
1052040	"D"	262	

Kit for LF26A, LFSS263AP includes all items shown at right except for adjust



# Series LF560, LFH560

Mini Water Pressure Regulators

Sizes 1/8" x 1/4" and 3/4" x 3/4"

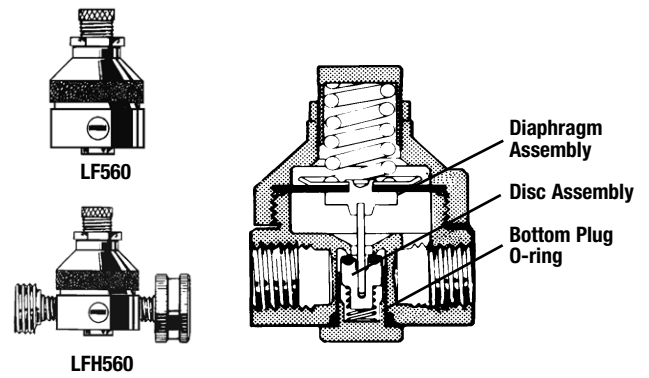
## Repair Kits

	ORDERING CODE	KIT NO.	VALVE SERIES	SIZE (IN.)
LEAD FREE	0981000	LFRK-H560	LF560, LFH560	ALL

## Pressure Gauge

	ORDERING CODE	KIT NO.	VALVE SERIES	SIZE (IN.)
LEAD FREE	0121712	1/8" LFDPG3-1	LFH560	1/8"

Kit for LF560, LFH560 includes parts shown at right



# Series P60

Plastic Water Regulators

Size 1/4"

## Repair Kits

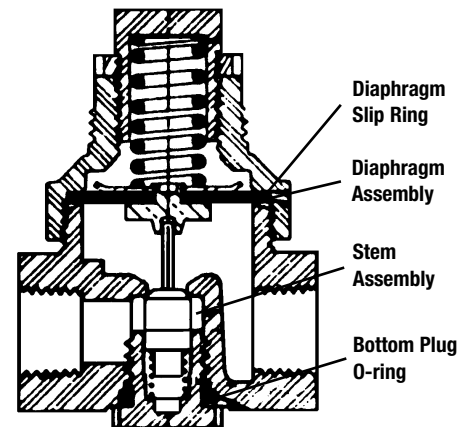
When ordering specify Ordering Code, Kit No., and Valve Size.

	ORDERING CODE	KIT NO.	VALVE SERIES	SIZE (IN.)
	0354563	P60-RK	P60	1/4"

## Pressure Gauge

	ORDERING CODE	KIT NO.	VALVE SERIES	SIZE (IN.)
	0121699	LFDPG3-20-160	P60	1/4"

Kit for P60 includes parts shown at right



\*The wetted surface of this product contacted by consumable water contains less than 0.25% of lead by weight.

# Series LFU5B-Z3, LF25AUB-Z3, LFN45B-M1

## Union Nuts, Tailpieces, Gasket/O-rings



Union Nut



Union Tailpiece



Gasket / O-rings

### Replacement Parts

When ordering specify Ordering Code, Part No., and Valve Size.

SIZE (IN.)	SERIES	UNION NUT ORDERING CODE	PART NO.
------------	--------	-------------------------	----------

#### LFU5B-Z3/LF25AUB-Z3 SERIES

SIZE (IN.)	SERIES	UNION NUT ORDERING CODE	PART NO.
1/2"	LFU5B-Z3/LF25AUB-Z3	1140152	35AB140
1/2"	LFU5BS-Z3/LF25AUBS-Z3	1140152	35AB140
3/4"	LFU5B-Z3/LF25AUB-Z3	1140153	35BB140
3/4"	LFU5BS-Z3/LF25AUBS-Z3	1140153	35BB140
1"	LFU5B-Z3/LF25AUB-Z3	1140154	35CB140
1"	LFU5BS-Z3/LF25AUBS-Z3	1140154	35CB140
1 1/4"	LFU5B-Z3/LF25AUB-Z3	1140155	5DB140
1 1/4"	LFU5BS-Z3/LF25AUBS-Z3	1140155	5DB140
1 1/2"	LFU5B-Z3/LF25AUB-Z3	1140156	5EB140
1 1/2"	LFU5BS-Z3/LF25AUBS-Z3	1140156	5EB140
2"	LFU5B-Z3/LF25AUB-Z3	1140157	5FB140
2"	LFU5BS-Z3/LF25AUBS-Z3	1140157	5FB140

#### LFN45B-M1, LFN45B-EZ-M1 SERIES

SIZE (IN.)	SERIES	UNION NUT ORDERING CODE	PART NO.
3/4"	LFN45BU-M1	1140153	35BB140
3/4"	LFN45BUS-M1	1140153	35BB140
3/4"	LFN45BU-PEX-M1	1140153	35BB140
3/4"	LFN45BU-CPVC-M1	1140153	35BB140
1"	LFN45BU-M1	1140154	35CB140
1"	LFN45BUS-M1	1140154	35CB140
1"	LFN45BU-PEX-M1	1140154	35CB140
1"	LFN45BU-CPVC-M1	1140154	35CB140

UNION TAILPIECE ORDERING CODE	PART NO.
-------------------------------	----------

2139051	135AB139
2139057	135AB139-S
2139052	135BB139
2139058	135BB139-S
2139053	135CB139
2139059	135CB139-S
2139054	5DB139
2139060	5DB139-S
2139055	5EB139
2139061	5EB139-S
2139056	5FC139
2139062	5FB139-S

2139052	135BB139
2139058	135BB139-S
1139961	5B139-PEX
1139912	135BA139-CPVC
2139053	135CB139
2139059	135CB139-S
1139962	5C139-PEX
1139914	135CA139-CPVC

UNION GASKET ORDERING CODE	PART NO.
----------------------------	----------

1101722	488XA101
1101722	488XA101
1101192	6010BB101
1101192	6010BB101
1101930	5CB101
1101930	5CB101
1101931	5DB101
1101931	5DB101
1101932	5EB101
1101932	5EB101
1101933	909LB101
1101933	909LB101

1101977	123-70EP101
1101977	123-70EP101
1101977	123-70EP101
1101977	RP4AC101
1101973	127-70EP101
1101973	127-70EP101
1101973	127-70EP101
1101973	127-70EP101

# Series LFU5-Z3, LF25AUB-Z3, LF223

## Replacement Parts

When ordering specify Ordering Code, Kit No., and Valve Size.

ORDERING CODE	PART NO.	LFU5-Z3						LF25AUB-Z3						LF223							
		1/2"	3/4"	1"	1 1/4"	1 1/2"	2"	1/2"	3/4"	1"	1 1/4"	1 1/2"	2"	1/2"	3/4"	1"	1 1/4"	1 1/2"	2"	2 1/2"	3"
<b>DIAPHRAGM</b>																					
1020001	135A20	•						•	•												
1020083	135B20		•							•				•							
1020004	135C20			•							•	•			•						
1020006	135D20				•										•						
1020008	135E20						•														
1020027	5E20					•							•								
1020017	223E20																•				
1020019	223F20																	•	•		
<b>DISCS</b>																					
1037281	25EA37																				
1037717	50B37							•	•												
1037718	50C37									•											
1037009	135E37						•											•			
1037724	135F37																		•	•	
<b>SEATS</b>																					
1016008	5A16	•																			
1016009	5B16		•	•										•	•						
1016010	5C16				•											•					
1016011	5D16					•											•				
1016012	5E16						•											•			
1016013	5F16																		•	•	
1016846	50B16-P							•	•												
1016847	50C16-P									•											
1016004	25DA16										•	•									
1016267	25EA16												•								
<b>STRAINER SCREENS</b>																					
1077002	135A77	•								•											
1077004	135B77		•	•																	
1077005	135C77				•																
1077007	135E77						•														
1077333	25DA77										•	•									
1077105	25FA77																			•	
1077022	4500A77							•	•												
<b>ADJUSTMENT SPRINGS (NOT INCLUDED IN REPAIR KITS)</b>																					
1052006	124	•						•	•												
1052009	145			•							•	•		•	•						
1052010	146				•											•					
1052670	236-ZC					•							•				•				
1052035	254		•							•											
1052671	297-ZC						•														
1052672	298-ZC																	•			
1052673	299-ZC																		•	•	
1052067	3																				•

ORDERING CODE	PART NO.	SIZE (in.)	PRESSURE RATING
---------------	----------	------------	-----------------

### Replacement Pressure Gauges - All (GG) Series Regulators

0121713	1/8" LFDPG5-2	1/8"	0-160psi
0121691	1/4" LFDPG5-2	1/4"	0-160psi

Kit for P60 includes parts shown at right

\*The wetted surface of this product contacted by consumable water contains less than 0.25% of lead by weight.

# Series LFU5, LF25AUB, LF223

For Model "LP" and "BLP" Regulators

## Replacement Parts

When ordering specify Ordering Code, Kit No., and Valve Size.

1 Pressure Regulators

ORDERING CODE	PART NO.	LFU5-Z3						LF25AUB-Z3			LF223					
		1/2"	3/4"	1"	1 1/4"	1 1/2"	2"	1/2"	3/4"	1"	1/2"	3/4"	1"	1 1/4"	1 1/2"	2"
<b>TEFLON® DIAPHRAGM PROTECTOR</b>																
1020002	135A20T	•						•	•							
1020003	135B20T		•							•	•					
1020005	135C20T			•								•				
1020007	135D20T				•								•			
1020084	5E20T					•								•		
1020009	135E20T						•									
1020088	223E20T														•	
1020089	223F20T															•

ORDERING CODE	BOTTOM SPRING	LFU5-Z3						LF25AUB-Z3						LF223							
		1/2"	3/4"	1"	1 1/4"	1 1/2"	2"	1/2"	3/4"	1"	1 1/4"	1 1/2"	2"	1/2"	3/4"	1"	1 1/4"	1 1/2"	2"	2 1/2"	
<b>HIGH PRESSURE SPRING</b>		1/2"	3/4"	1"	1 1/4"	1 1/2"	2"	1/2"	3/4"	1"	1 1/4"	1 1/2"	2"	1/2"	3/4"	1"	1 1/4"	1 1/2"	2"	2 1/2"	
1052070	125							•	•												
1052035	254	•																			
1052022	224		•																		
1052007	128			•	•						•	•		•	•	•					
1052016	187					•							•				•				
1052671	297-ZC						•														
1052672	298																		•		
1052673	†299-ZC																			•	•
1052047	296									•										•	•

ORDERING CODE	BOTTOM SPRING	LFU5-Z3						LF25AUB-Z3						LF223							
		1/2"	3/4"	1"	1 1/4"	1 1/2"	2"	1/2"	3/4"	1"	1 1/4"	1 1/2"	2"	1/2"	3/4"	1"	1 1/4"	1 1/2"	2"	2 1/2"	
<b>BOTTOM SPRING</b>		1/2"	3/4"	1"	1 1/4"	1 1/2"	2"	1/2"	3/4"	1"	1 1/4"	1 1/2"	2"	1/2"	3/4"	1"	1 1/4"	1 1/2"	2"	2 1/2"	
1052058	84**	•																			
1052059	85							•	•												
1105010	69		•	•	•					•				•	•	•					
1052011	175					•	•										•	•			
1052070	125=																			•	•
1052711	710												•								
1052710	709										•	•									
1052230	743																				
1052229	742																				

**ADJUSTABLE SPRINGS FOR HIGH PRESSURE RANGE** The Standard reduced pressure range for adjusting springs is 25-75 lbs. However, adjusting springs for a higher pressure range 75-100 lbs. are available as listed.  
**BOTTOM SPRINGS** To convert from standard range to low pressure range (10-35 lbs.), add Bottom Spring as listed.

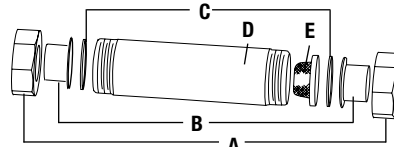
†Standard Range Adjusting Spring is also used for High Pressure Range with the addition of two No. 296 Springs (Nested).  
 †Use No. 298 Adjusting Spring  
 \*\* Use No. 111 Adjusting Spring 1052005

# Jumper Kits

Sizes  $\frac{3}{4}$ " – 2"

## Replacement Parts

When ordering specify Ordering Code, Kit No., and Valve Size.



Jumper Kit Exploded View

Kits consists of:  
 A – Union Nut (2)  
 B – Sweat Tailpiece (2)  
 C – Fiber Washer (2)  
 D – Jumper Nipple  
 E – Screen

DESCRIPTION	ORDERING CODE $\frac{3}{4}$ "	ORDERING CODE 1"	ORDERING CODE 1 1/4"	ORDERING CODE 1 1/2"	ORDERING CODE 2"
		N/A	1028031 (25)	N/A	1028174 (25)
(PVC)	N/A	1028022 (345)	1028170 (55)	N/A	
Jumper Nipple	N/A	N/A	1028163 (25)		N/A
(Brass)	N/A			N/A	
Fiber Washer	1103036	1203003	1203005	1203006	1203007
Screen	N/A	1077043	1077914	N/A	N/A
		1139016	1139095		
Male Sweat Tailpiece	N/A	1139851	N/A		
Union Nut	N/A		1140012		
<b>O-Ring (Order Separately)</b>					
N45B/N55B	1101977	1101973	-	1101932	1101933
25AUB-DU-LF-Z3	1101192	1101930	-	1101932	1101933

## Complete Kits

### With Plastic Nipple

MODEL	ORDERING CODE	SIZE (IN.)
<b>Female x Female Copper Sweat Tailpiece</b>		
JK-P-25 S	0006944	1 1/4"
JK-P-55 S	0007721	1 1/4"

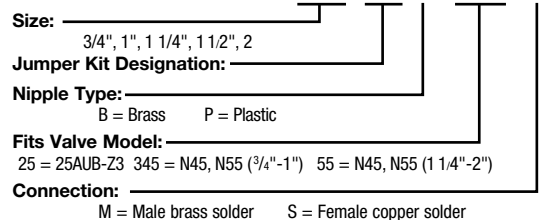
Kit for P60 includes parts shown at right



Jumper Kit

### HOW TO ORDER JUMPER KITS

Example:  $\frac{3}{4}$ " JK P-345 S



Jumper Kits Include: Jumper Nipple, strainer screen, 2 fiber washers, 2 union nuts and tailpieces as described above. Jumper Kits are the correct lay length for the water pressure reducing Valves as listed below. When removing Jumper Nipple and inserting the water pressure reducing valve, two O-rings (ordered separately) are required.

\*The wetted surface of this product contacted by consumable water contains less than 0.25% of lead by weight.



# Series 127 & 127W

Steam/Water Pressure Regulators

Sizes 1/2" - 4"

## Repair Kits

When ordering specify Ordering Code, Kit No., and Valve Size.

Pressure Regulators

ORDERING CODE	PART NO.	ITEM	SIZE (IN.)
<b>Complete Disc Assemblies</b>			
0889210	127B37SRK	Disc Assembly (127 SS)	1/2", 3/4"
0889211	127C37SRK	Disc Assembly (127 SS)	1", 1 1/4"
0889212	127E37SRK	Disc Assembly (127 SS)	1 1/2"
0889213	127F37SRK	Disc Assembly (127 SS)	2"
0889214	127G37SRK	Disc Assembly (127 SS)	2 1/2"
0889215	127H37SRK	Disc Assembly (127 SS)	3", 4"
0889220	127H37RRK	Disc Assembly (127 W)	3", 4"

Includes all items marked\*\*

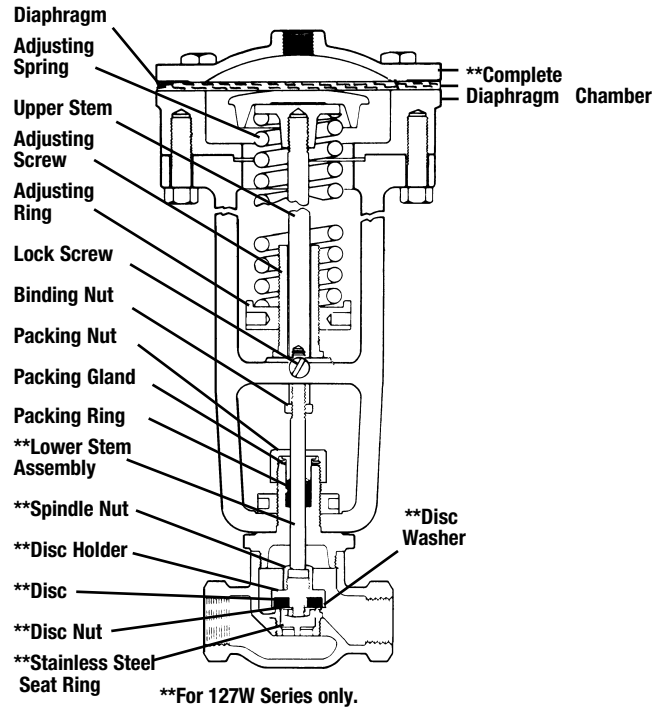
### Complete Diaphragm Chamber

0889230	SA6L20G RK	Diaphragm Chamber	1/2" -4"
0889231	SA8L20G RK	Diaphragm Chamber	1/2" -4"
0889232	SA10L20G RK	Diaphragm Chamber	1/2" -4"
0889233	SA15L20G RK	Diaphragm Chamber	1/2" -4"

### Replacement Parts

ORDERING CODE	PART NO.	ITEM	SIZE (IN.)
0889226	6L20 RK	Diaphragm 6"	1/2"-4"
0889227	8L20 RK	Diaphragm 8"	1/2"-4"
0889228	10L20 RK	Diaphragm 10"	1/2"-4"
0889229	15L20 RK	Diaphragm 15"	1/2"-4"
See Below	***1 or ***2	*Adjusting Spring	1/2"-4"
1050064	127A50	Upper Stem	1/2"-4"
1053046	39A53	Adjusting Screw	1/2"-4"
1054014	39A54	Adjusting Ring	1/2"-4"
1024007	1/4"-20" x 1/2"	Lock Screw	1/2"-4"
1051001	125A51	Binding Nut	1/2"-4"
1042006	2A42	Packing Nut	1/2"-4"
1041049	2A41	Packing Gland	1/2"-4"
1041011	***1	Packing Ring	1/2"-4"
1048026	127A48S	Spindle Nut	1/2"-4"
*0889238	RK-Black	Spring-Black	1/2"-4"
*0889239	RK-Green	Spring-Green	1/2"-4"

\*\*\*1 Packing Ring - 3 required per valve



ORDERING CODE	PART NO.	ITEM	SIZE (IN.)
1049011	SA127A49S	Lower Stem Assy.	1/2"-2"
1049010	SA127G49S	Lower Stem Assy.	2 1/2", 3", 4"
1016211	127B16S	SS Seat Ring (127, 127SC)	1/2"-3/4"
1016212	127C16S	SS Seat Ring (127, 127SC)	1"-1 1/4"
1016213	127E16S	SS Seat Ring (127, 127SC)	1 1/2"
1016214	127F16S	SS Seat Ring (127, 127SC)	2"
1016215	127G16S	SS Seat Ring (127, 127SC)	2 1/2"
1016252	127H16S	SS Seat Ring (127, 127SC)	3", 4"

ORDERING CODE	PART NO.	ITEM	SIZE (IN.)
1047103	127B47	Disc Holder	1/2"-3/4"
1047104	127C47	Disc Holder	1"-1 1/4"
1047105	127H47	Disc Holder	3", 4"
1037019	24B37	Composition Disc	1/2"-3/4"
1037112	24HH37	Buna N Disc**	3", 4"
1051007	26Y51	Disc Nut	1/2"-3/4"
1024001	127AA8	Discwasher	1/2"-3/4"
1008001	125C8	Discwasher	1"-1 1/4"

# Series 152A, 152AT, 252A, 252AT

## Steam Pressure Regulators

Sizes 1/2" – 2"

When Ordering, Specify: 1. Ordering Code 2. Regulator Number  
3. Part Name and Number or Kit Number 4. When Ordering Adjusting Spring, specify Reduced Pressure Range and Spring Number.

### Repair Kits

ORDERING CODE	KIT NO.	MODELS	SIZE (IN.)
0875505	152ARK	152A, 252A	1/2"
0875605	152ARK	152A, 252A	3/4"
0875705	152ARK	152A, 252A	1" or 1 1/4"
0875725	152ARK	152A, 252A	1 1/2" or 2"
0875751	152ATRK	152AT, 252AT	1/2"
0875860	152ATRK	152AT, 252AT	3/4"
0875861	152ATRK	152AT, 252AT	1" or 1 1/4"

Complete repair kits include all items at right marked \*\*

### Repair Kits

ORDERING CODE	PART NO.	ITEM	ADJUSTING SPRING RANGE-PSI	SIZE (IN.)
---------------	----------	------	----------------------------	------------

#### 152A, 252A

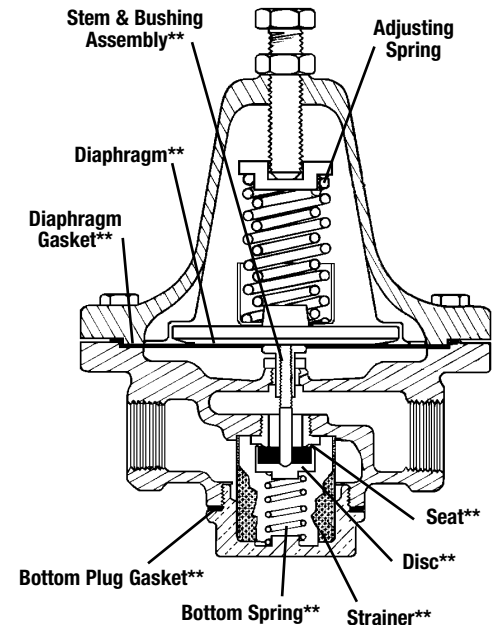
1052009	145	Adjusting Spring	3-15	1/2" or 3/4"
1052010	146	Adjusting Spring	3-15	1" or 1 1/4"
1052010	146	Adjusting Spring	10-30	1/2" or 3/4"
1052007	128	Adjusting Spring	10-30	1" or 1 1/4"
1052072	141	Adjusting Spring	30-140	1/2" or 3/4"
1052073	142	Adjusting Spring	30-140	1" or 1 1/4"
1052074	276	Adjusting Spring	5-40	1 1/2" or 2"
1052673	299-ZC (zinc)	Adjusting Spring	30-100	1 1/2" or 2"
1052131	576	Bottom Spring		1/2", 3/4", 1", 1 1/4"
1052651	616	Bottom Spring		1 1/2" or 2"
1101054	4 1/4" x 4 3/4"	Diaphragm Gasket		1/2" or 3/4"
1101057	5 3/8" x 6"	Diaphragm Gasket		1" or 1 1/4"
1101058	6" x 6 15/16"	Diaphragm Gasket		1 1/2" or 2"
1077029	152B77-M1	Strainer		1/2" or 3/4"
1077030	152C77-M1	Strainer		1" or 1 1/4"
1077006	135D77	Strainer		1 1/2" or 2"
1102109	152AA102-T	Bottom Plug		1/2" or 3/4"
1102042	152C102-T	Gasket		1", 1 1/4", 1 1/2", 2"
1016046	152AA16	Seat		1/2"
1016047	152BA16	Seat		3/4"
1016048	152CA16	Seat		1" or 1 1/4"
1016049	152EA16	Seat		1 1/2" or 2"
1029080	SA-152AA29	Stem, Disc, Seat & Bushing Assy		1/2"
1029081	SA-152BA29	Stem, Disc, Seat & Bushing Assy		3/4"
1029082	SA-152CA29	Stem, Disc, Seat & Bushing Assy		1" or 1 1/4"
1029083	SA-152EA29	Stem, Disc, Seat & Bushing Assy		1 1/2" or 2"
1020107	152B20	Diaphragm (Order 3)		1/2" or 3/4"
1020108	152C20	Diaphragm (Order 3)		1" or 1 1/4"
1020110	152E20	Diaphragm (Order 3)		1 1/2" or 2"

ORDERING CODE	PART NO.	ITEM	SIZE (IN.)
---------------	----------	------	------------

#### 152AT - 252T

(Same parts as 152A, 252A except for following)

1105010	SPR 69	Bottom Spring	1/2", 3/4", 1", 1 1/4"
1016261	152AB16-M3	Seat	1/2"
1016032	152B16-M1	Seat	3/4"
1016262	152C16-M1	Seat	1" or 1 1/4"
1029031	SA-152A29T	Stem, Disc, Seat & Bushing Assy	1/2"
1029050	SA-152B29T	Stem, Disc, Seat & Bushing Assy	3/4"
1029189	SA-152C29T	Stem, Disc, Seat & Bushing Assy	1" or 1 1/4"



# Series 152SS

Steam Pressure Regulators

Sizes 1/2" – 1"

## Repair Kits

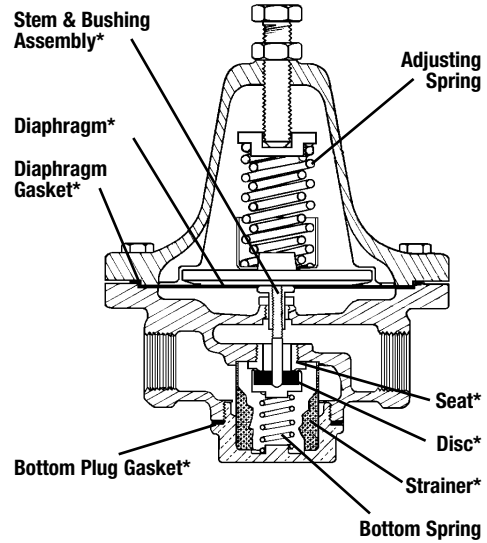
When ordering specify Ordering Code, Kit No., and Valve Size.

ORDERING CODE	PART NO.	MODELS	SIZE (IN.)
0875512	1/2" 152SS-RK	152SS	1/2"
0875627	3/4"-1" 152SS-RK	152SS	3/4"-1"

Kit for 152SS includes all items at right\*

## Replacement Parts

ORDERING CODE	PART NO.	ITEM	ADJUSTING SPRING RANGE-PSI	SIZE (IN.)
1052007	128	Adjusting Spring	3-15	1/2"-1"
1052202	591	Adjusting Spring	10-30	1/2"-1"
1052203	592	Adjusting Spring	30-140	1/2"-1"
1052200	589	Bottom Spring		1/2"-1"
1101054	4 1/4" x 4 3/4"	Diaphragm Gasket		1/2"-1"
1077029	152B77-M1	Strainer		1/2"-1"
1102109	152AA102-T	Bottom Plug Gasket		1/2"-1"
1016258	152SSAA16	Seat		1/2"
1016259	152SSCA16	Seat		3/4"-1"
1029190	SA152SSB29	Stem, Disc, Seat & Bushing Assy		3/4"-1"
1020138	152SSAA20	Diaphragm (order 3)		1/2"-1"



1

Pressure Regulators

# Series 152SST

Steam Pressure Regulators

Sizes 1/2" – 1"

## Repair Kits

Same parts as 152SS except for

ORDERING CODE	PART NO.	ITEM	SIZE (IN.)
0875512	1/2" 152SS-RK	152SS	1/2"
0875627	3/4"-1" 152SS-RK	152SS	3/4"-1"

Kit for 152SS includes all items at right\*

## Replacement Parts

ORDERING CODE	PART NO.	ITEM	SIZE (IN.)
1105010	69	Bottom Spring	1/2"-1"
1016190	T152SSAA16	Seat	1/2"
1016138	T152SSCA16	Seat	3/4"-1"
1029188	SA-152SSB29T	Disc & Bushing Assy	3/4"-1"